

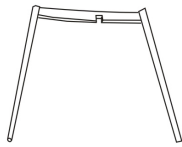
Part # CH-DIANA XX+XX

18-0820

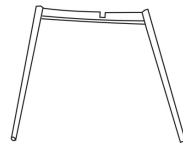
PARTS



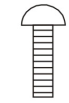
A



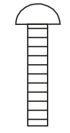
B



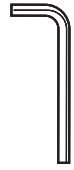
C

x1
(M6x30)

D

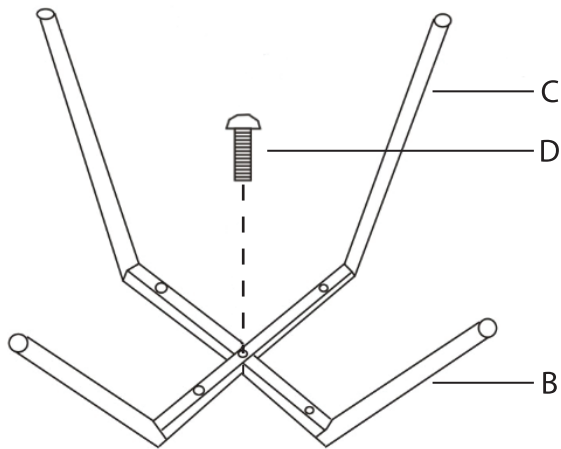
x4
(M6x45)

E

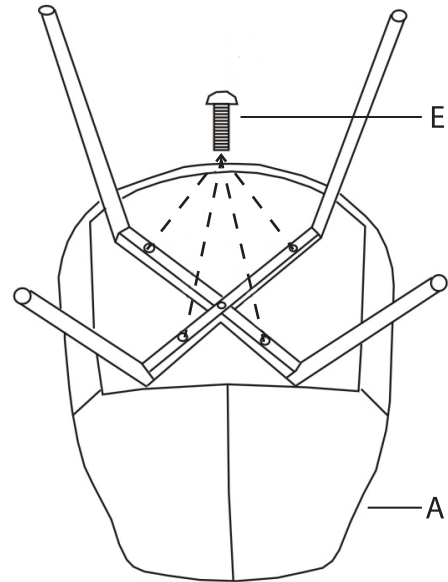


F

1



2



3



Do not over tighten.
Do not use power tools to assemble.